

Solutions that shine.



## Mitel 6905

### Quickstart Guide

[www.sunwire.ca](http://www.sunwire.ca)

# Thank You for Choosing Sunwire!

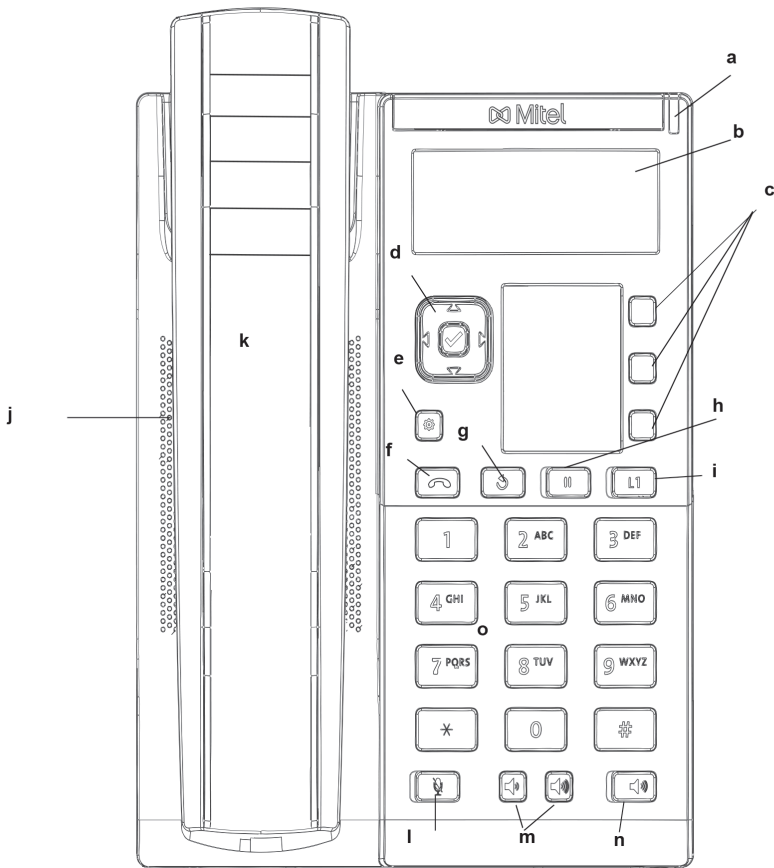
We pride ourselves on delivering the best service.

## Contents

|   |    |
|---|----|
| Phone Overview with Key Descriptions..... | 2  |
| Setting Up Your Voicemail.....            | 6  |
| Navigating Your Voicemail.....            | 7  |
| Most Common Phone Features.....           | 8  |
| Telephone Feature * Codes.....            | 11 |

# Mitel 6905

## Overview with Key Descriptions

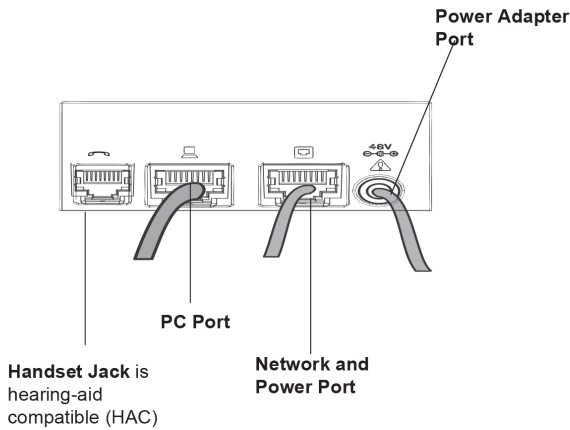


|   |                      |   |                           |
|---|----------------------|---|---------------------------|
| a | Message Waiting Lamp | b | LCD Screen                |
| c | Programmable Keys    | d | Navigation Keys           |
| e | Settings Key         | f | Goodbye Key               |
| g | Redial Key           | h | Hold Key                  |
| i | Line Appearance Key  | j | High Quality Speakerphone |

# Solutions that shine.

|   |                |   |             |
|---|----------------|---|-------------|
| k | 6905 Handset   | l | Mute Key    |
| m | Volume Control | n | Speaker Key |
| o | Keypad         |   |             |





**Figure 1: 6905 IP Phone Components**



**Figure 2: Ports on the Back of the 6905 IP Phone**

The following table describes the keys on the Mitel MiVoice 6905 IP Phone.

| Key | Description  |
|-----|--|
|     | <b>Settings key</b> —Provides services and static settings that allow you to customize your phone.   |
|     | <b>Volume controls</b> —Adjusts the volume for the ringer, handset, and speakerphone.<br>Pressing these keys during an active call adjusts the volume of the audio device being used (handset or speaker). |
|     | <b>Goodbye key</b> —Ends an active call. The <b>Goodbye</b> key also exits an open list (such as <b>Call History</b> ) and menus (such as the <b>Static Settings</b> menu) without saving changes.         |
|     | <b>Redial key</b> —Redials the last manually dialed number displayed on the LCD screen.  |
|     | <b>Hold key</b> —Places an active call on hold. To retrieve a held call, press the applicable <b>Line</b> key.<br>For more information, see Placing a Call on Hold or Off Hold on page 11.                 |

| Key  | Description  |
|--|--|
|  | <b>Mute key</b> —Mutes the microphone so that the caller cannot hear you. The LED beside the key turns on when the microphone is on mute.  |
|  | <b>Speaker</b> —Transfers the active call to the speaker.  |
|  | <b>Prime Line key</b> —Line or Call Appearance Keys - Connects you to a line or call. The Mitel 6905 IP phone supports one line key with an LED indicator light.                                 |
|  | <b>Navigation keys and select button</b> —Multi-directional navigation keys that allow you to navigate through the phone's UI. The right, left, and center navigation keys are used as softkeys. |

## Keypad Keys

The 6905 IP phone has a keypad with digits from 0 through 9, a \* key, and a # key. Keys 2 through 9 contain the letters of the alphabet. Following is a description of the keypad keys of the 6905 IP phone:

| KEYPAD KEY | DESCRIPTION   |
|------------|---|
| 0          | Dials 0   |
| 1          | Dials 1   |
| 2 ABC      | Dials 2<br>When entering text, this key enters <b>A</b> with one press, <b>B</b> with two presses, and <b>C</b> with three presses                              |
| 3 DEF      | Dials 3<br>When entering text, this key enters <b>D</b> with one press, <b>E</b> with two presses, and <b>F</b> with three presses                              |
| 4 GHI      | Dials 4<br>When entering text, this key enters <b>G</b> with one press, <b>H</b> with two presses, and <b>I</b> with three presses                              |
| 5 JKL      | Dials 5<br>When entering text, this key enters <b>J</b> with one press, <b>K</b> with two presses, and <b>L</b> with three presses                              |
| 6 MNO      | Dials 6<br>When entering text, this key enters <b>M</b> with one press, <b>N</b> with two presses, and <b>O</b> with three presses                              |
| 7 P QRS    | Dials 7<br>When entering text, this key enters <b>P</b> with one press, <b>Q</b> with two presses, <b>R</b> with three presses, and <b>S</b> with four presses. |
| 8 TUV      | Dials 8<br>When entering text, this key enters <b>T</b> with one press, <b>U</b> with two presses, and <b>V</b> with three presses                              |

## Setting Up Your Voicemail

Choose a passcode and record your greetings.

### Accessing your Voicemail

By default, your voicemail is set to answer after 5 rings. To access your voicemail, dial **\*98**. To access another extensions voicemail, dial **\*98+Ext**. To access your voicemail remotely, call your extension and press the \* key when your voicemail answers.

### Setting your Passcode

When accessing your voicemail, you are prompted for a passcode. The default passcode is 1234. Once logged in, you can change your passcode by pressing **0** for Mailbox Options and then **1**.

### Recording your Greetings

Sunwire offers the option for up to three different types of greetings.

#### Unavailable Greeting

To record your main Unavailable Greeting, from the voicemail's main menu **press 3** for Greetings then **press 1** to Record a Greeting. **Press 2** to record your Unavailable Greeting and follow the voice prompts.

#### Busy Greeting

If you would like a different greeting to be played when you are on the phone and your line is busy, you can record a Busy Greeting. From the main menu, **press 3, 1, 1** to record your Busy Greeting.

#### Temporary Greeting

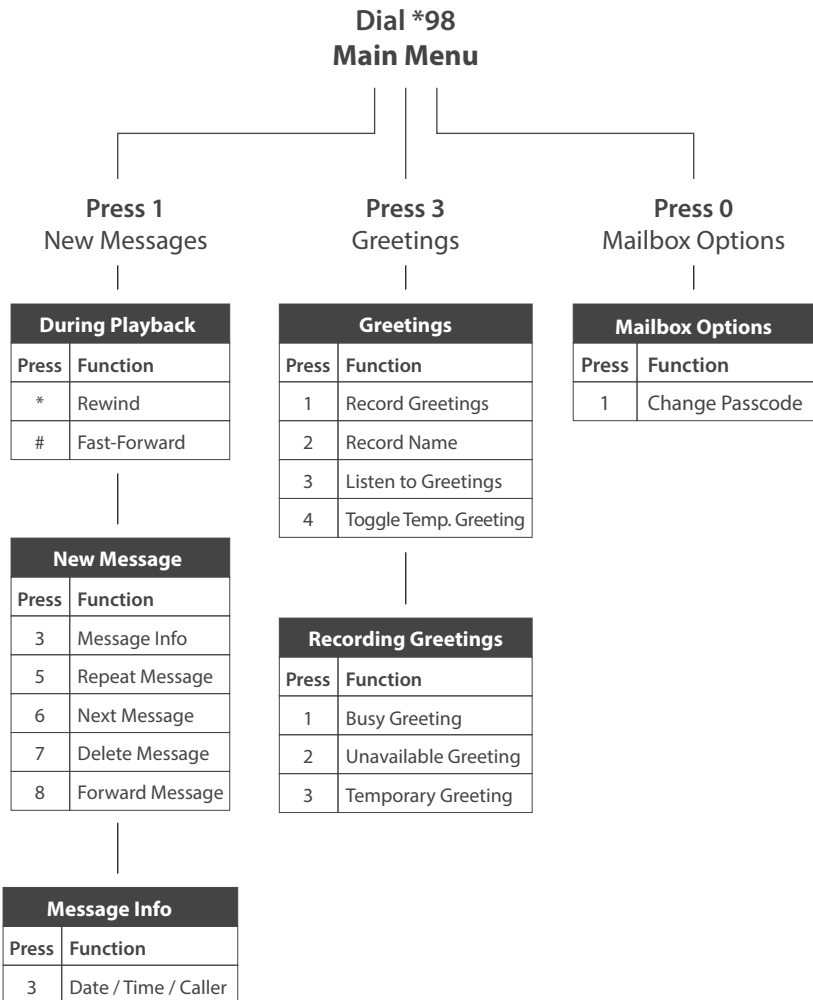
You can also setup a Temporary Greeting if you are going away but do not want to record over your existing greetings. Once enabled, the Temporary Greeting will always play until it is disabled.

To record a temporary greeting, **press 3, 1, 3** from the main menu.

To toggle (enable/disable) your temporary greeting, **press 3** then **4**.

## Navigating Your Voicemail

See the big picture behind your voicemail system.



## Most Common Phone Features

Learn how our most common features work.

### Log In / Log Out of your Extension

This feature is most commonly used by individuals who share phone sets or those who wish to use their extension on different phones (and/or locations).

Your phone may be equipped with a Login and Logout softkey. You can also use \*11 to log into your extension and \*12 to log out of your extension. Dial \*13 to playback the phone's current extension status.

---

### Directory and Speed Dial

Pressing the Directory Listing key will give you the option to navigate your corporate and local contacts. The corporate directory is managed by your system administrator and is sorted alphabetically. Your local directory is only stored on your phone and you can add, remove or modify contacts as you wish without affecting others in the company.

Your Speed Dial settings can be added and managed from either your telephone set or the administrative web portal. Speed dials can range from 1 to 999; all speed dials are preceded by '0'.

To configure your extension's speed dial settings:

1. Dial: 00
2. Enter the speed dial number you'd like to edit followed by the # key.
3. Enter the phone number to be assigned for this speed dial option.
4. You will hear a recording state: "Speed Dial Saved."

If you select a speed dial which already has an entry; you will be given the option to: edit the entry, delete it or playback its assigned number.



## Transferring Calls

There are two methods of transferring a call: Attended (full) Transfer and Blind Transfer. An attended transfer allows you to speak with the individual you are transferring to prior to completing the transfer whereas a blind transfer simply sends the call.

To complete an attended (full) transfer:

1. While on a call, press the Transfer Call key.
2. Enter the number or extension you would like to transfer the call to.
3. Press 'Dial' using the bottom softkeys.
4. You will then be connected with the person you are transferring to while the current call is placed on hold.
5. To complete the transfer, simply press the Transfer Call key again.

To complete a blind transfer, follow the same steps as above but rather than pressing 'Dial' at step 3 - simply press the 'Transfer Call' key again to complete the transfer.

Note: If you transfer a call and it is not answered, it will go to that extensions voicemail. You can also transfer a call using the Directory Listing key rather than entering a number or extension.

---

## Conference Calling

The Conference Call (3-way) key allows you to add a third person to the call. It's functionality is the same as an attended transfer, although rather than completing the transfer it merges all the callers.

Note: Like an attended transfer, you must first speak to the person you are inviting into the conference call. There is no 'blind' conference call. Also, because you initiate the conference call, hanging up on the other users will drop the call completely. To avoid this, rather than hanging up the call, use the 'Leave' button which will appear as a bottom softkey during a conference call.

## Parking a Call

Inbound calls can be parked (put on a public hold) by way of the bottom softkeys or by dialling: ##. Parking a call allows you or another user to pick up the call from any other device on the phone system.

While on a call, you will find a 'Park' softkey. If your phone is not equipped with a 'Park' softkey, simply press ##. This will place the call in the next available parking lot. The system will read back the parking lot number once the call is parked.

The call will then leave your phone and you can hang up the receiver.

You could now advise the person who must answer the parked call that they have a call parked on "XX" (where XX represents the parking lot number where the call was parked).

Using a pre-specified softkey for that parking lot will allow any user to pick up a call in that parking lot. Alternately, users can simply dial the parking lot number in order to pickup the parked call.

Note: If your phone is configured with pre-specified softkeys for parking lots, the status light next to the softkey will light up if a call is parked in that parking lot number.

## Telephone Feature \* Codes

Access features quickly using the following dial codes.

|                               | Dial Code       |
|-------------------------------|-----------------|
| Access Voicemail              | *98             |
| Anonymous Calling             | *67 + Number    |
| Call Forwarding Enabled       | *72 + Number    |
| Call Forwarding Disabled      | *73             |
| Park Call                     | ##              |
| Answer Parked Call            | Dial Lot Number |
| Extension Login               | *11             |
| Extension Logout              | *12             |
| Extension Login/Logout Toggle | *904            |
| Extension Status              | *13             |
| Record Call (if purchased)    | #1              |



**Sunwire Inc.**  
[www.sunwire.ca](http://www.sunwire.ca)

If you require any further assistance,  
please contact our support team:

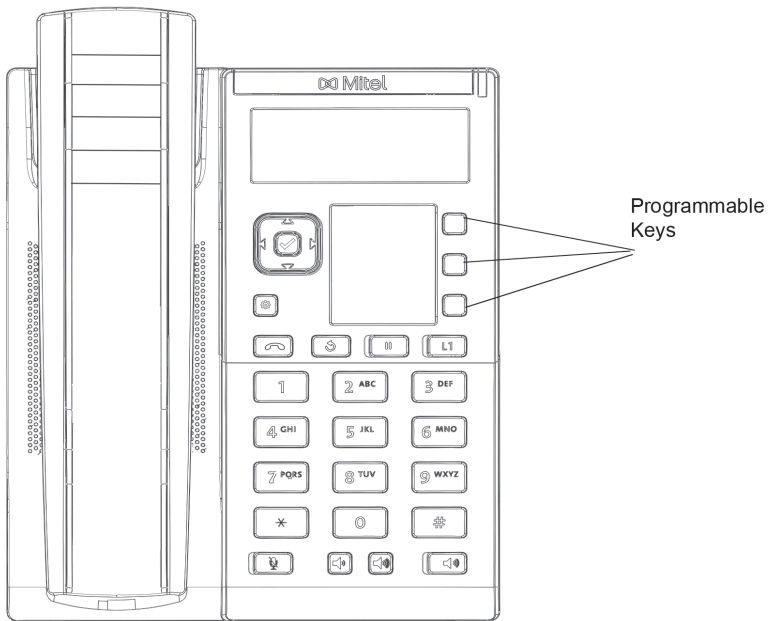
[tier2@sunwire.ca](mailto:tier2@sunwire.ca)  
1-833-727-6777

Proudly Canadian 

| KEYPAD KEY | DESCRIPTION   |
|------------|---|
| 9 WXYZ     | Dials 9<br>When entering text, this key enters <b>W</b> with one press, <b>X</b> with two presses, <b>Y</b> with three presses, and <b>Z</b> with four presses. |
| #          | Dials #<br>When entering text, this key enters the special characters.  |

### Programmable Keys

There are 3 programmable keys on the 6905 IP phone.



Your system administrator can program any three of the following operations for the programmable keys:

- Private speed calls
- Always forward calls
- Do not disturb
- Phone lock
- Make busy
- Account code
- Call history
- Auto answer